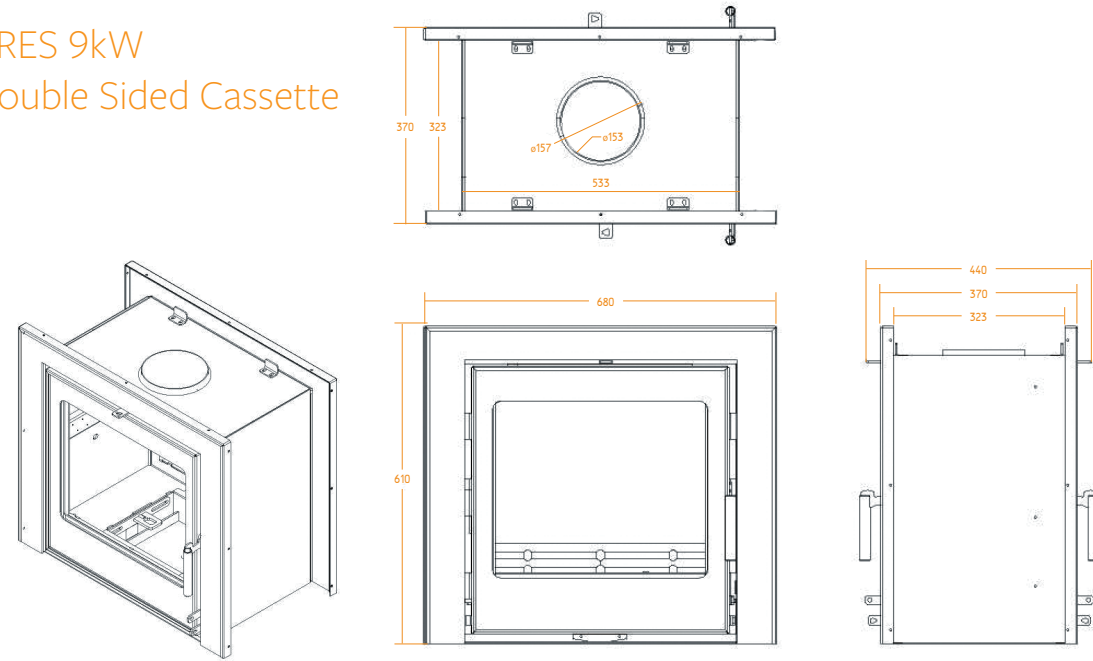
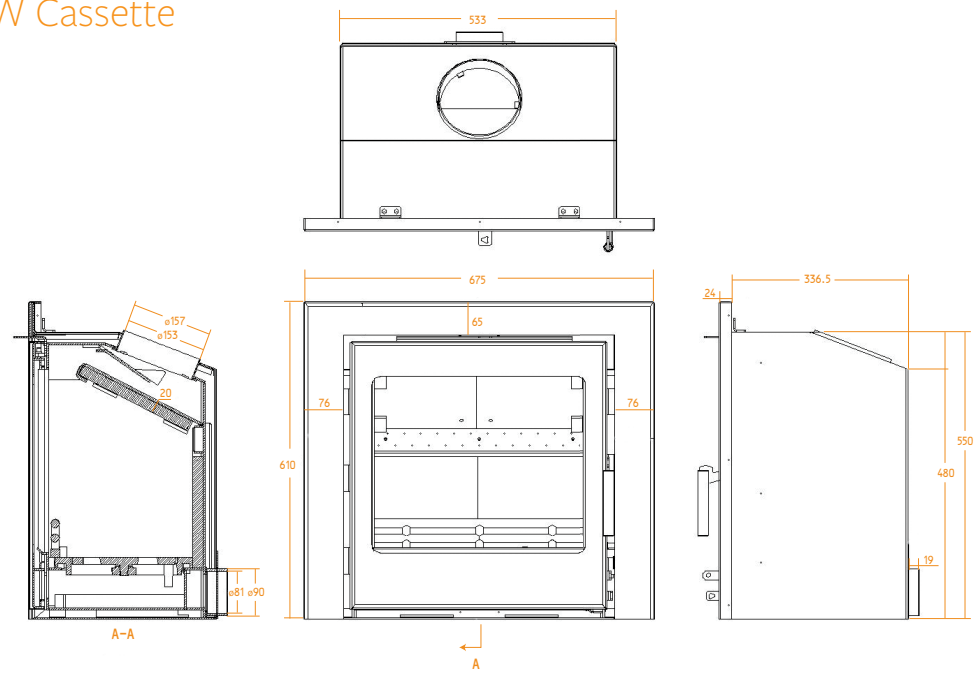


209mm

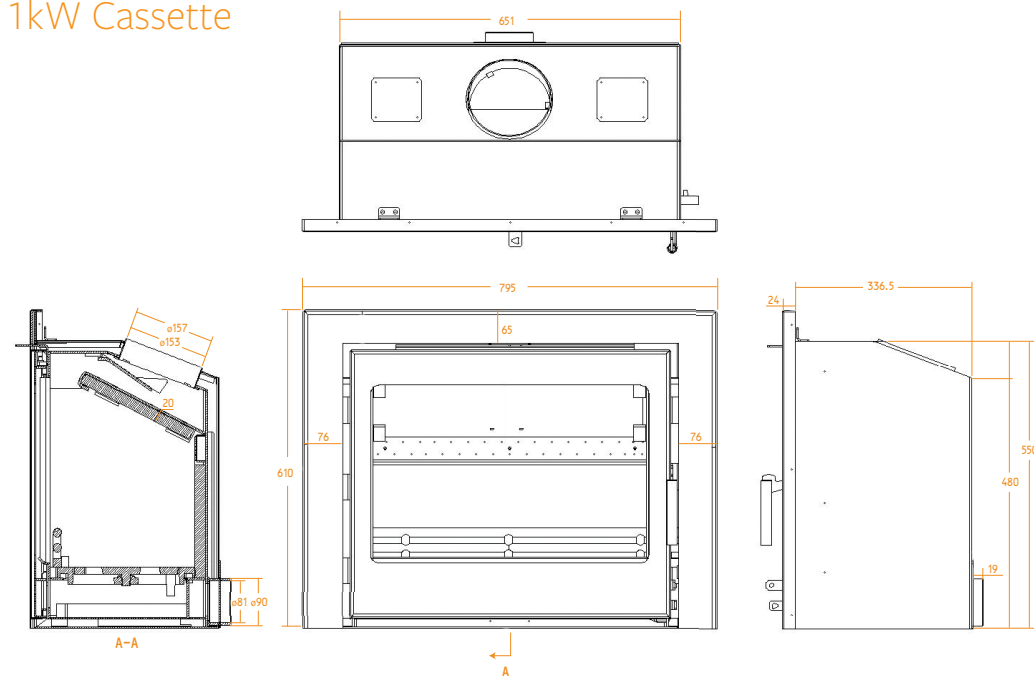
ARES 9kW  
Double Sided Cassette



ARES 9kW Cassette



ARES 11kW Cassette



210mm

210mm



Unit 4, JFK Park, Killeen Road,  
Dublin 12,  
Ireland.

T: +353 1 4265990

E: info@hota.ie

www.hota.ie



FLAT VICTORIAN

Sizes: 54" / 60"  
 Materials: Crema Fiore & Alpine White  
 Insert: Polished Black Granite Back Panel & Hearth  
 Fire: Ares Cassette 11 Glass

# ARES Stove Brochure

210mm



### ARTS & CRAFTS

Sizes: 54"  
Materials: Crema Fiore & Alpine White  
Insert: Polished Black Granite Back Panel & Hearth  
Fire: Ares Cassette 9 Steel

210mm

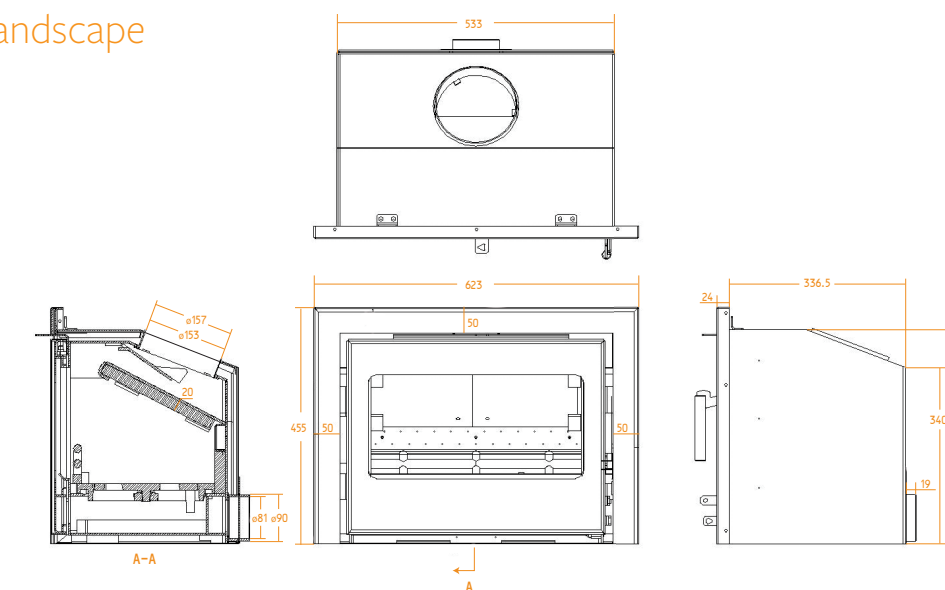


### DUBLIN CORBEL

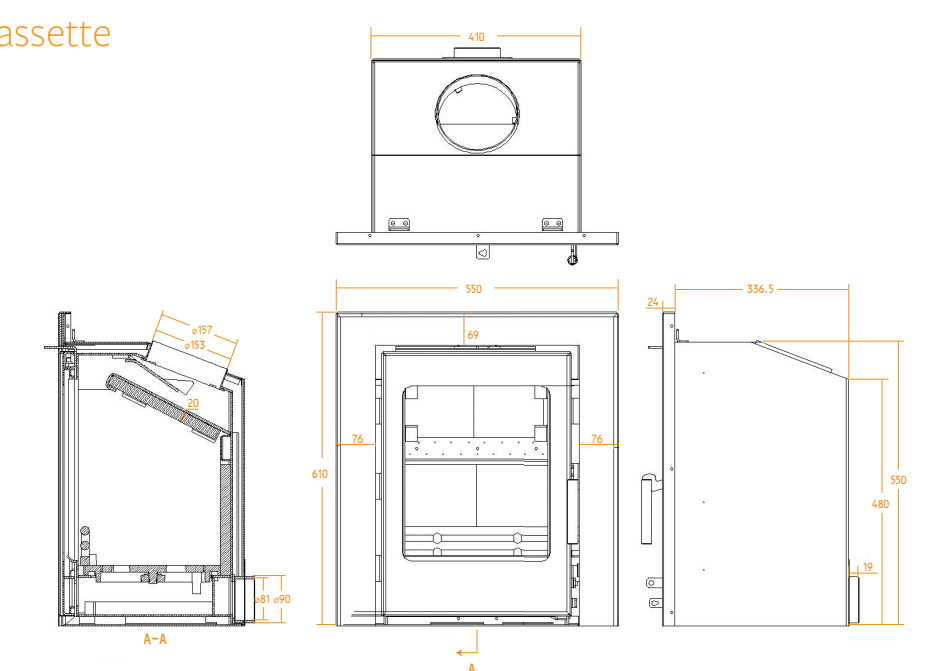
Sizes: 54" / 60"  
Materials: Crema Fiore & Alpine White  
Insert: Polished Black Granite Back Panel & Hearth  
Fire: Ares Cassette 11 Glass

209mm

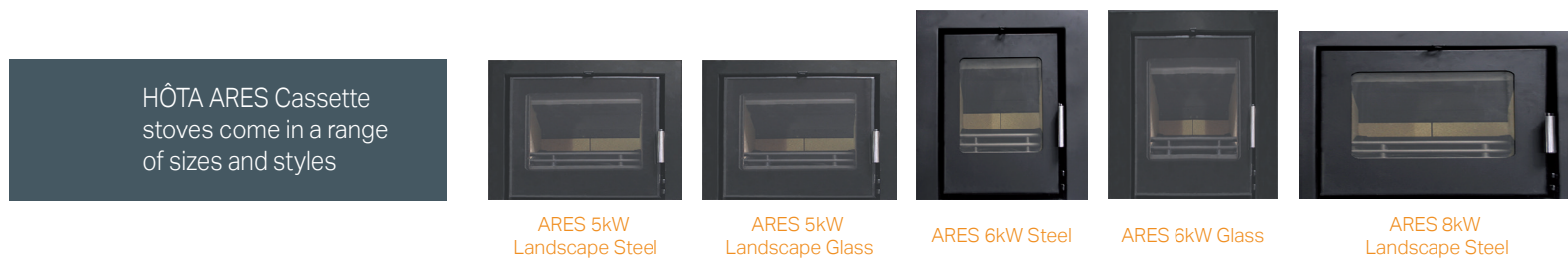
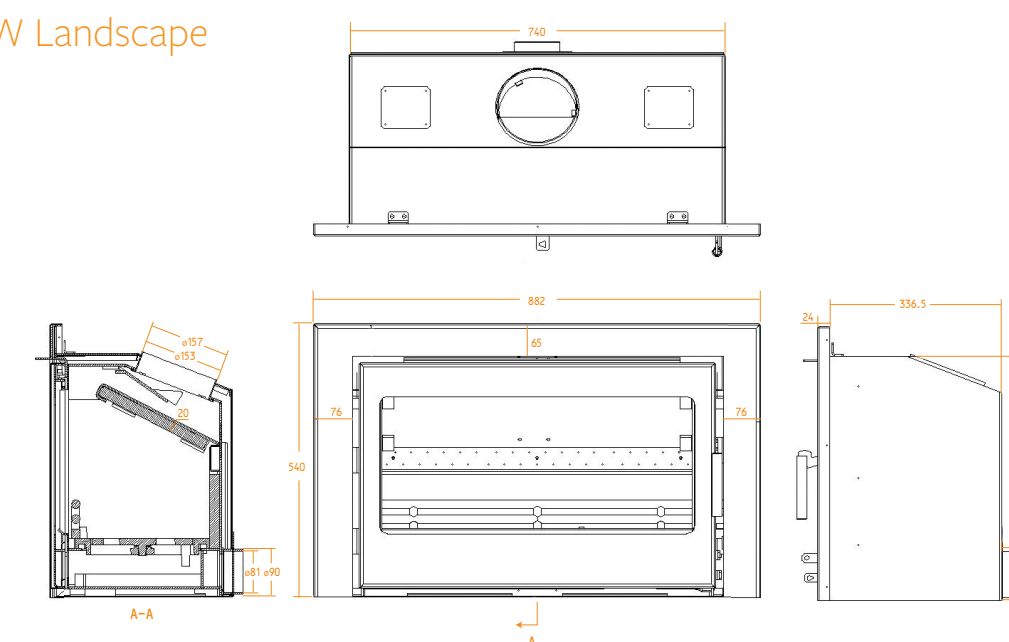
### ARES 5kW Landscape Cassette



### ARES 6kW Cassette



### ARES 8kW Landscape Cassette



HÔTA ARES Cassette stoves come in a range of sizes and styles

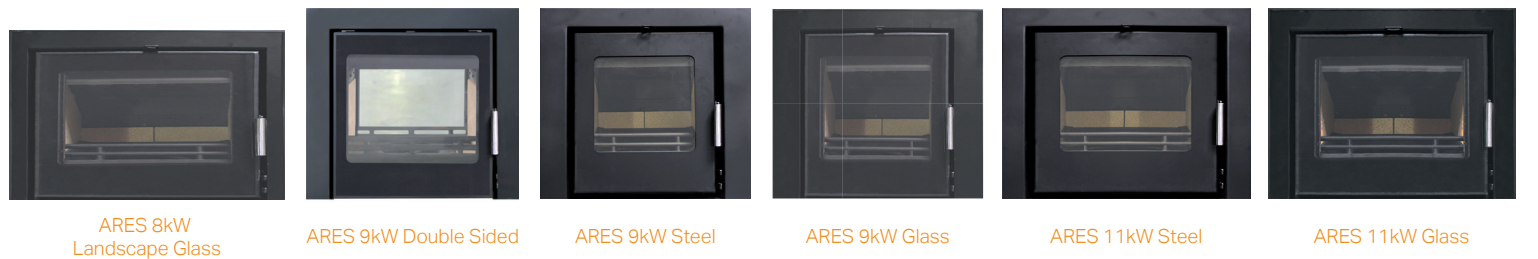
ARES 5kW Landscape Steel

ARES 5kW Landscape Glass

ARES 6kW Steel

ARES 6kW Glass

ARES 8kW Landscape Steel



ARES 8kW Landscape Glass

ARES 9kW Double Sided

ARES 9kW Steel

ARES 9kW Glass

ARES 11kW Steel

ARES 11kW Glass

We've been making stoves for a long time now – a combined experience of more than 70 years. Our customers talk about our great designs delivering efficient, cost effective heat keeping their homes cosy. We also have a reputation for really looking after our customers.

We hand-pick our dealers not only for their intimate knowledge of fireplaces and stoves, but for their brilliant customer service too. They'll be with you right from the start – from choosing the right fireplace and stove for your home, fitting it, and caring for it for many years to come. Our dealers are spread out all over the UK and Ireland, so wherever you are, you'll always be in safe hands.

#### Quality

Our robustly made inserts are made with the finest grade materials and are built to deliver superb heat output over many years of service.

#### Optional External Air

HÔTA ARES Stoves offer external air control as an option on each appliance. Simple for the retailer to stock, simple to fit, simple to operate!

#### Airwash Technology

HÔTA ARES Stoves use a Scandinavian-designed system which provides for a vent to draw in cool air at the top of the appliance to wash down the inside window, thus keeping the glass clean and aiding combustion.

#### Convection System

HÔTA ARES Stoves include a convection system, whereby cool air is drawn from the room into the convection chamber, the air is heated as it rises within the stove which then flows out into the room.

#### Five Year Warranty

HÔTA ARES Stoves come with a five year warranty. Please fill in the warranty card found in the instruction manual and return to us at HÔTA to ensure you receive our 5 year warranty.

#### CE Approval

CE EN 13240 and EN 13229 Approval.

#### Efficiency

HÔTA ARES Stoves are tested up to 80% efficiency.

Experience

Quality